

# Stride SE2 Series Unmanaged Industrial Ethernet Switches and Media Converters

## SE2 Series DIN Rail mounted switches



### Features

- Broadcast storm protection
- Wide temp range option
- Optional panel mounting accessory
- 12, 24, 48 VDC & 18-30 VAC redundant input
- GbE models
- Haz Loc
- IP30 metal cases
- 5-year warranty



RoHS Compliant

Stride SE2 Unmanaged Models							
Part Number	Price	RJ45 10/100	RJ45 GbE	Fiber	Input power (max.)	Operating Temp	Agency Approvals
SE2-MC2U-C1-T	\$131.00	1	-	1 SC	3.4 W	-40 to +75°C (-40 to +167°F)	UL/cUL 61010-1 and 61010-2-201, Haz Loc, CE
SE2-MC2U-T1-T	\$131.00	1	-	1 ST		-10 to +60°C (+14 to +140°F)	
SE2-SW5U	\$78.00	5	-	-		-40 to +75°C (-40 to +167°F)	
SE2-SW5U-T	\$100.00		-	-	-		
SE2-SW5UG-T	\$157.00	-	5	-	4.5 W	-40 to +75°C (-40 to +167°F)	
SE2-SW5U-1C1-T	\$157.00	4	-	1 SC	3.4 W	-10 to +60°C (+14 to +140°F)	
SE2-SW5U-1T1-T	\$157.00	4	-	1 ST			
SE2-SW8U	\$111.00	8	-	-	4.6 W	-10 to +60°C (+14 to +140°F)	
SE2-SW8U-T	\$126.00		-	-			
SE2-SW8U-2C1-T	\$207.00	6	-	2 SC			
SE2-SW8U-2T1-T	\$207.00		-	2 ST			
SE2-SW8UG-T	\$247.00	-	8	-	8W	-40 to +75°C (-40 to +167°F)	
SE2-SW10UG-2P-T	\$299.00	-		2 GbE SFP*			
SE2-SW16U-T	\$352.00	16	-	-	8W	-40 to +75°C (-40 to +167°F)	
SE2-SW18U-2G-T	\$409.00	16	2	-			

\* Optional SFP modules sold separately. Use only Gigabit speed SFPs with SE2-SW10UG-2P-T.

### Panel Mounting Brackets

Stride SE2 series DIN-rail mounted switches can be panel mounted with the addition of the optional panel mounting brackets SE2-PM1 or SE2-PM3.

SE2-Series Panel Mounting Brackets		
Part Number	Price	For use with switch model
SE2-PM1	\$16.00	SE2-SW5Ux, SE2-SW8U-x, and SE2-MCx
SE2-PM3	\$21.00	SE2-SWPx, SE2-SW8UG-T, SE2-SW10UG-2P-T, SE2-SW16U-T, SE2-SW18U-2G-T and all SE2 managed switches



SE-PM1

SE-PM3

# Stride SE2 Series Unmanaged Industrial Ethernet Switches and Media Converters

## SE2 Series DIN Rail mounted switches

General Specifications	
<b>Operating Mode</b>	Store and forward wire speed switching, non-blocking
<b>Devices Supported</b>	All IEEE 802.3 compliant devices are supported
<b>MAC Addresses</b>	8K for SE2-SWxG-T, SE2-SW16U-T, SE2-SW18U-2G-T 2K
<b>Packet Forwarding Rate</b>	0.75 Mpps - SE2-MC2U-x, SE2-SW5U & SE2-SW5U-x 1.2 Mpps - SE2-SW8U-x 7.4 Mpps - SE2-SW5UG-T 14.9 Mpps - SE2-SW8UG-T & SE2-SW10UG-2P-T 5.7 Mpps - SE2-SW16U-T & SE2-SW18U-2G-T
<b>Broadcast Storm Protection*</b>	DIP switch enabled (DIP switch I ON)
<b>Jumbo Frame Support</b>	DIP switch enabled for SE2-SW5UG-T, SE2-SW8UG-T, SE2-SW10UG-2P-T and SE2-SW18U-2G-T only (DIP switch II ON)**
<b>Latency</b>	< 10 µs
<b>Storage Temperature Range</b>	-40 to +85 °C (-40 to +185 °F)
<b>Humidity (non-condensing)</b>	5 to 95% RH
<b>Environmental Air</b>	No corrosive gases permitted
<b>Vibration, Shock &amp; Freefall</b>	IEC60068-2-6, -27, -32
<b>EMI Emissions</b>	FCC CFR47 Part 15, EN55032/CISPR32, Class A
<b>EMS</b>	IEC61000-4-2 (ESD): +/- 6kV (contact), +/- 8kV (air) IEC61000-4-3 (RS): 10V/m (80MHz - 2GHz) IEC61000-4-4 (EFT): Power Port +/- 2kV; Data Port: +/- 1kV IEC61000-4-5 (Surge): Power Port: +/- 1kV/DM, +/- 2kV/CM; Data Port +/- 1kV (+/- 2kV for 16 and 18 port models) IEC61000-4-6 (CS): 10V (150kHz - 80MHz)
<b>RoHS and WEEE</b>	RoHS (Pb free) and WEEE compliant
<b>Packaging and Protection</b>	Metal case, IP30
<b>Hazardous Locations</b>	ANSI/ISA 12.12.01-2015 & CSA 22.2 No. 213-15 (Class 1, Div.2) (file #E200031); UL/cUL 61010-1 and 61010-2-201, Class 1, Div. 2, Groups A, B, C, D, (UL file #E200031) CE
<b>Agency Approvals</b>	
* Broadcast storm threshold value is 2 packets/100ms for 10 Mbps port or 2 packets/10ms for 100 Mbps and 1000 Mbps ports.	
** DIP switch II is unused on the 10/100 models.	

SC/ST Fiber Port: (100BaseFX multimode)	
<b>Optimal Fiber Cable</b>	50/125 or 62.5/125 µm
<b>Center Wavelength</b>	1300 nm
<b>Multimode</b>	Links up to 4 km typ. > Transmitter power (dBm): -21 min, -17 typ, -14 max > Receiver sensitivity (dBm): -34 typ, -31 max
<b>Nominal Max. Distance</b>	4 km
<b>Eye Safety (laser)</b>	IEC 60825-1, Class 1; FDA 21 CFR 1040.10 and 1040.11

RJ45 Ports	
<b>Port Type</b>	Shielded RJ45
<b>Ethernet Compliance</b>	IEEE 802.3i, 802.3u, 802.3x for 10/100 Ethernet IEEE 802.3ab, 802.3z for Gigabit Ethernet
<b>Auto-Crossover</b>	Yes, allows you to use straight-through or crossover wired cables
<b>Auto-Sensing Operation</b>	Yes, full and half duplex
<b>Auto-Negotiating Speed</b>	Yes
<b>Flow Control</b>	Automatic
<b>Cable Requirements</b>	Twisted pair (Cat5e or better) (shielded recommended)
<b>Max. Cable Distance</b>	100 meters

Power Details	
<b>Power Input</b>	Redundant Input Terminals
<b>Input Voltage</b>	Class 2 Power Supply: 12-48 VDC, 18-30VAC 50/60 Hz
<b>Reverse Power Protection</b>	Yes
<b>Power Consumption</b>	Refer to Stride SE2 Series Unmanaged Models table

SFP Ports	
SFP (pluggable) ports accept 1000Mbps Mini-GBIC (SFP) transceivers	
See SFP datasheet for optional fiber transceiver specification	

Front Panel LEDs		
LED	State	Description
<b>PWR1 LED</b>	<b>On</b>	Power 1 connected and operational
	<b>Off</b>	Power 1 no voltage
<b>PWR2 LED</b>	<b>On</b>	Power 2 connected and operational
	<b>Off</b>	Power 2 no voltage
<b>ACT/LNK LED</b>	<b>On</b>	Indicates that there is a proper Ethernet connection (Link) between the port and another Ethernet device, but no communications activity is detected.
	<b>Blinking</b>	Indicates that there is a proper Ethernet connection (Link) between the port and another Ethernet device, and that there is communications activity.
	<b>Off</b>	Indicates that there is not a proper Ethernet connection (Link) between the port and another Ethernet device. Make sure the cable has been plugged securely into the ports at both ends.
<b>Speed LED 10/100 Models</b>	<b>On</b>	A 100 Mbps (100BaseT) connection is detected.
	<b>Off</b>	A 10 Mbps (10BaseT) connection is detected.
<b>Speed LED 10/100/1000 Models</b>	<b>On</b>	A 1000 Mbps (1000BaseT) connection is detected
	<b>Off</b>	A 100 or 10 Mbps (100BaseT or 10BaseT) connection is detected

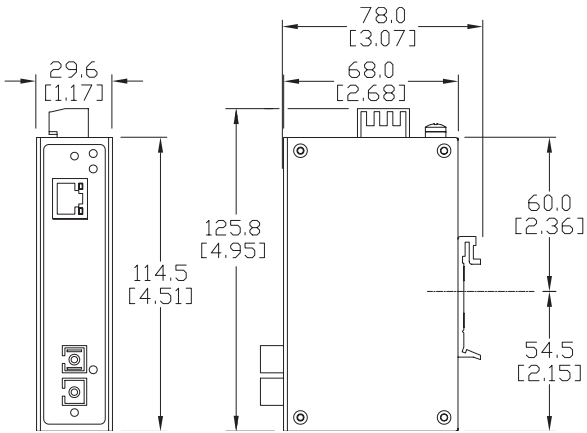
# Stride SE2 Series Unmanaged Industrial Ethernet Switches and Media Converters

## SE2 Series DIN Rail mounted switches

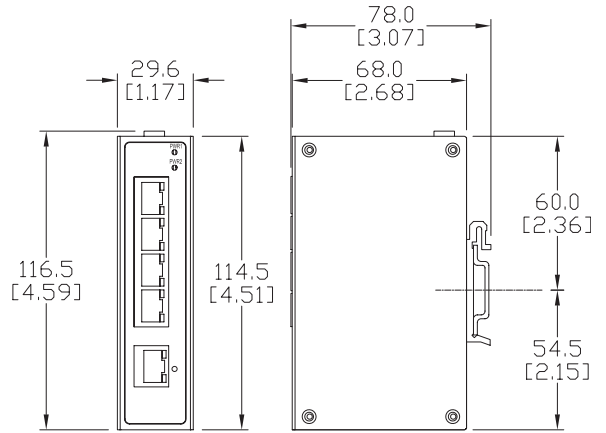
Allow 20mm (0.79") clearance around the switch for cooling

## Dimensions

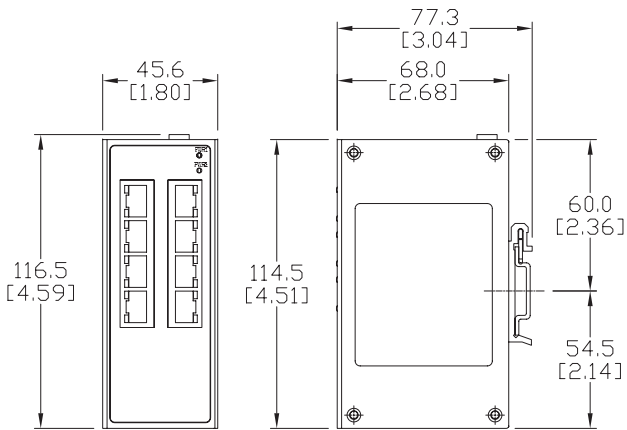
mm [Inches]



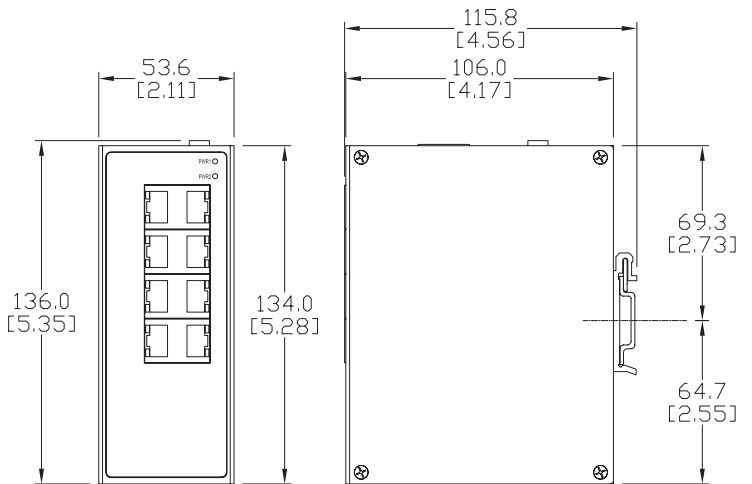
**SE2-MC2U-C1-T**  
**SE2-MC2U-T1-T**



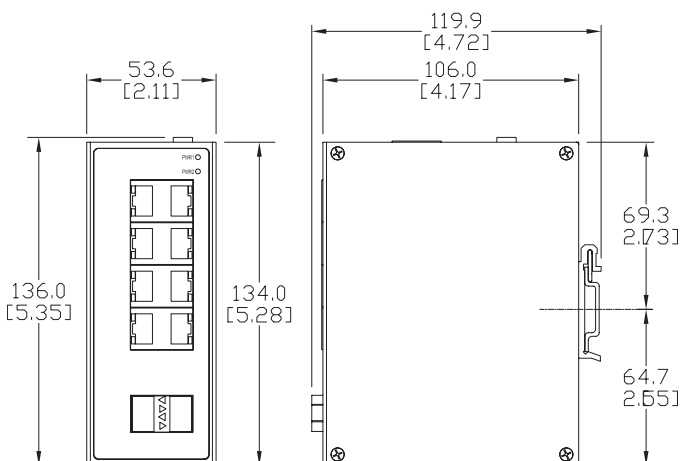
**SE2-SW5U-1C1-T**    **SE2-SW5U**  
**SE2-SW5U-1T1-T**    **SE2-SW5U-T**  
**SE2-SW5UG-T**



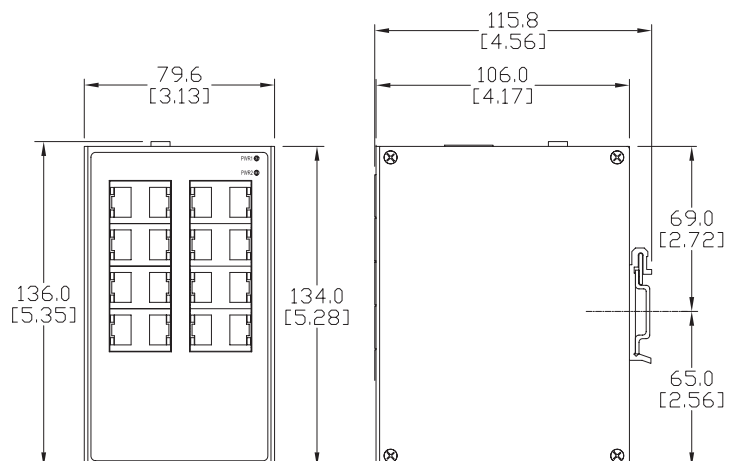
**SE2-SW8U**  
**SE2-SW8U-T**



**SE2-SW8UG-T**



**SE2-SW10UG-2P-T**



**SE2-SW16U-T**

See our website: [www.AutomationDirect.com](http://www.AutomationDirect.com) for complete engineering drawings.

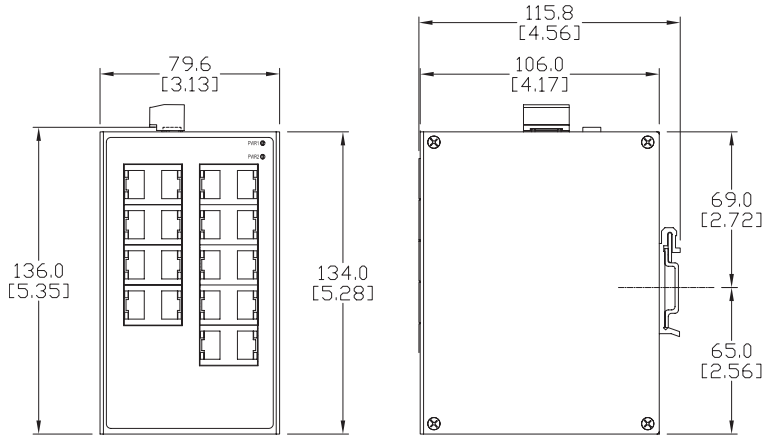
# Stride SE2 Series Unmanaged Industrial Ethernet Switches

## SE2 Series DIN Rail mounted switches

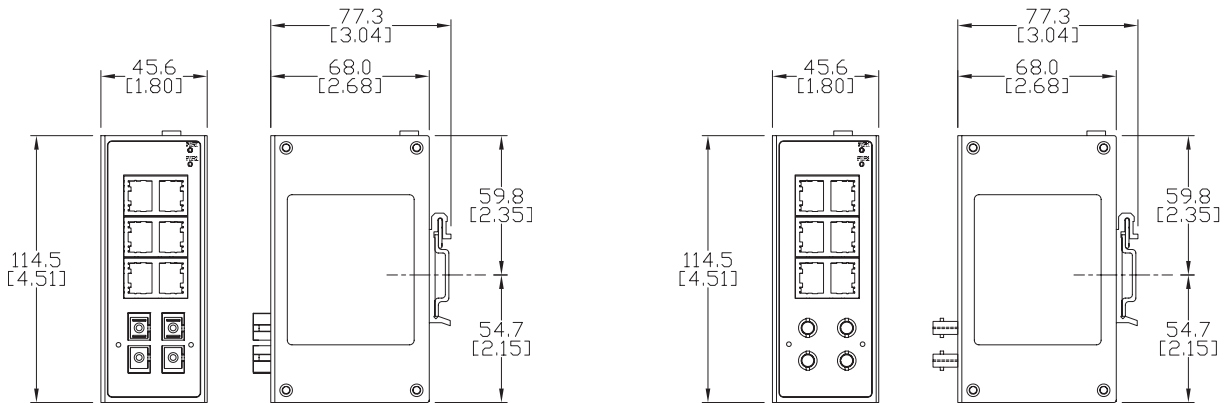
Allow 20mm (0.79") clearance around the switch for cooling

## Dimensions

mm [Inches]



**SE2-SW18U-2G-T**



**SE2-SW8U-2C1-T**

**SE2-SW8U-2T1-T**

See our website: [www.AutomationDirect.com](http://www.AutomationDirect.com) for complete engineering drawings.

# Stride SE2 Series Unmanaged Industrial Ethernet Switches

SE2 Series IP65 Rated



## Features

- Rugged IP65 rating
- Tight M12 connections
- Wide temp range
- Panel mount
- 12, 24, 48 VDC and 18-30 VAC redundant input
- Complies with EN50155 and EN50121 industrial standards
- 5-year warranty



Stride SE2 Series IP65 Rated Models					
Part Number	Price	M12, IP65 10/100 ports	Input power (max.)	Operating Temp	Agency Approvals
SE2-SW5U-N65-T	\$313.00	5	4.6 W	-40 to +75°C (-40 to +167°F)	UL/cUL 61010-1, UL/cUL 6010-2-201 CE, EN50155, EN50121
SE2-SW8U-N65-T	\$419.00	8			

# Stride SE2 Series Unmanaged Industrial Ethernet Switches

## SE2 Series IP65 Rated

General Specifications	
<b>Operating Mode</b>	Store and forward wire speed switching, non-blocking
<b>Devices Supported</b>	All IEEE 802.3 compliant devices are supported
<b>MAC Addresses</b>	2K
<b>Packet Buffer</b>	1Mbit
<b>Packet Forwarding Rate</b>	1.2 Mpps
<b>Latency</b>	< 10 $\mu$ s
<b>Storage Temperature Range</b>	-40 to +85 °C (-40 to +185 °F)
<b>Humidity (non-condensing)</b>	5 to 95% RH
<b>Pollution Degree</b>	2
<b>Vibration and Shock</b>	IEC60068-2-6, -27, -32
<b>Freefall</b>	IEC60068-2-32
<b>Safety</b>	EN60950-1
<b>EMI Emissions</b>	FCC CFR47 Part 15, EN55032/CISPR32, Class A
<b>EMS</b>	IEC61000-4-2 (ESD): $\pm$ 6kV (contact), $\pm$ 8kV (air) IEC61000-4-3 (RS): 20V/m (80MHz ~ 2 GHz) IEC61000-4-4 (EFT): Power Port $\pm$ 2kV; Data Port: $\pm$ 2kV IEC61000-4-5 (Surge): Power Port: $\pm$ 1kV/DM, $\pm$ 2kV/CM IEC61000-4-6 (CS): 10V (150 kHz ~ 80 MHz) IEC61000-4-8 (Power frequency magnetic field) :50 Hz 100A/m IEC61000-4-9 (Pulsed magnetic field) :300A/m IEC61000-4-29 (Voltage short interruptions) :10ms 100%
<b>RoHS and WEEE</b>	RoHS (Pb free) and WEEE compliant
<b>Packaging and Protection</b>	Metal case, IP65
<b>Agency Approvals</b>	UL/cUL 61010-1 UL/cUL 61010-2-201, (UL file #E157382), CE, EN50155, EN50121

Power Details	
<b>Power Input</b>	Redundant Input M12 connector
<b>Input Voltage</b>	Class 2 Power Supply: 12-48 VDC, 18-30VAC 50/60 Hz
<b>Power Input Ports</b>	M12, male, A-coding, 4-pin
<b>Reverse Power Protection</b>	Yes

M12 Ports	
<b>10/100BaseT ports</b>	M12, female, D-coding, 4-pin
<b>Ethernet Compliance</b>	IEEE 802.3i, 802.3u, 802.3x
<b>Auto-Crossover</b>	Yes, allows you to use straight-through or crossover wired cables
<b>Auto-Sensing Operation</b>	Yes, full and half duplex
<b>Auto-Negotiating Speed</b>	Yes
<b>Flow Control</b>	Automatic
<b>Cable Requirements</b>	Twisted pair (Cat5 or better) (shielded recommended)
<b>Max. Cable Distance</b>	100 meters
<b>*Note-M12 caps (ZP-JBH-CAP) need to be used on open (disconnect) ports.</b>	

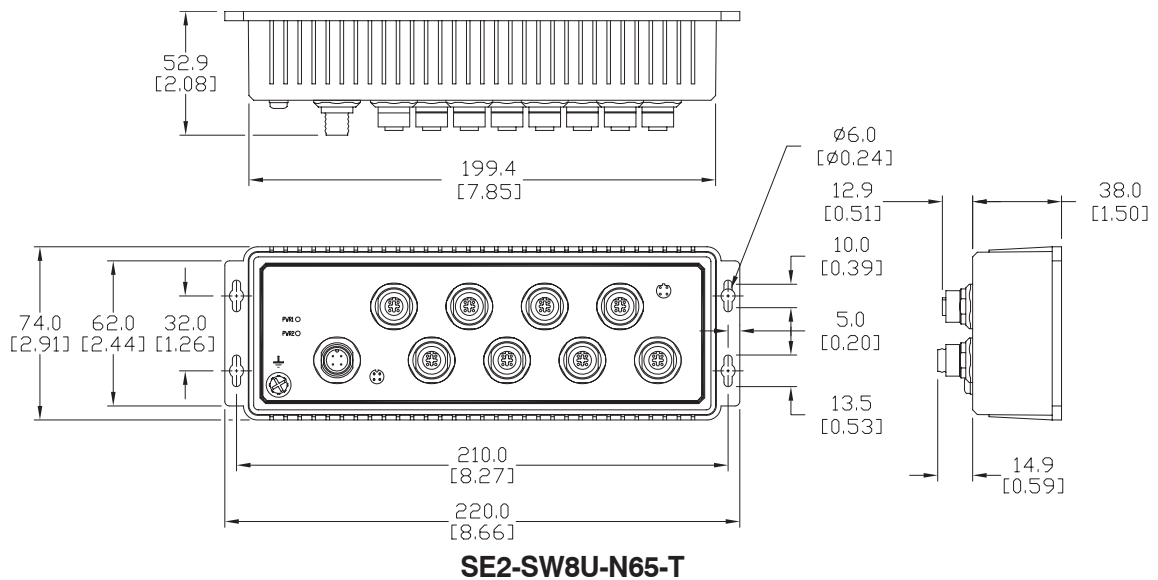
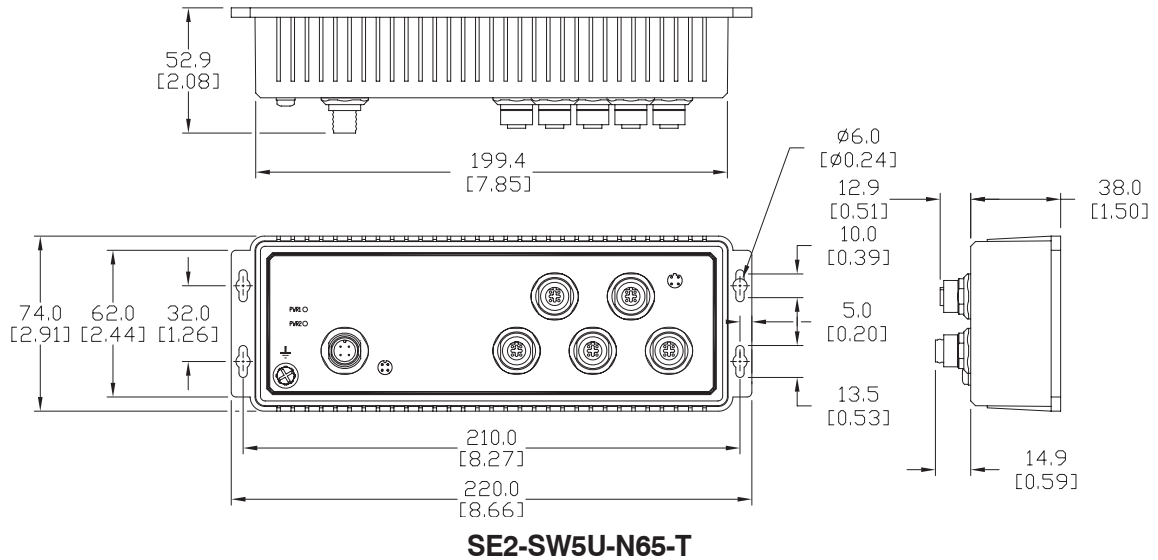
Front Panel LEDs		
LED	State	Description
<b>Power 1 LED</b>	<b>On</b>	Power 1 connected and operational
	<b>Off</b>	Power 1 no voltage
<b>Power 2 LED</b>	<b>On</b>	Power 2 connected and operational
	<b>Off</b>	Power 2 no voltage
<b>Ethernet Port Connection Status LED</b>	<b>On</b>	Ethernet port connected
	<b>Blinking</b>	Ethernet port active
	<b>Off</b>	Ethernet port no connection

# Stride SE2 Series Unmanaged Industrial Ethernet Switches

SE2 Series IP65 Rated

## Dimensions

mm [Inches]



See our website: [www.AutomationDirect.com](http://www.AutomationDirect.com) for complete engineering drawings.

# Stride<sup>®</sup> Unmanaged Industrial Ethernet Switches

## Unmanaged Switches offer:

- Reliable connectivity
- Industrially hardened
- Simple installation

For detailed specifications on all models, see following pages



		SE Series	SE2 Series DIN Rail	SE2 Series IP65
<b>Price</b>				
		starting at \$93	starting at \$78	starting at \$313
<b>Broadcast Storm Protection</b>				
		—	✓	—
<b>Industrial Temperature Ranges</b>				
	<i>Standard Temp</i>	-10 to +60°C	-10 to +60°C	—
	<i>Wide Temp</i>	-40 to +85°C	-40 to +75°C	-40 to +75°C
<b>Port Connectivity</b>				
	<i>Port Count</i>	2 to 9	2 to 18	5, 8
	<i>RJ45 Port Speed</i>	up to 100 Mbps	up to 1000 Mbps	—
	<i>M12 Port Speed</i>	—	—	up to 100 Mbps
	<i>Fiber Optic Ports</i>	✓	✓	—
	<i>PoE+ Ports</i>	—	✓	—
	<i>SFP Ports</i>	—	✓	—
<b>Mounting</b>				
	<i>DIN Rail Mount</i>	✓	✓	—
	<i>Panel Mount</i>	✓	✓	✓
<b>Input Power</b>				
	<i>Redundant Power Inputs</i>	✓	✓	✓
	<i>Reverse Polarity Protection</i>	✓	✓	✓
	<i>Power LED</i>	✓	✓	✓
<b>Agency Approvals</b>				
	<i>UL508 or UL61010</i>	✓	✓	✓
	<i>Haz Loc—Class 1 Div 2</i>	✓	✓	—
	<i>IECEX</i>	✓	—	—
	<i>ATEX Zone 2</i>	✓	—	—
	<i>CE</i>	✓	✓	✓
	<i>EN50155 &amp; EN50121</i>	—	—	✓
<b>Warranty</b>				
		2 years	5 years	5 years
<b>Activity, Link &amp; Speed LEDs</b>				
		✓	✓	✓



# Stride Industrial Ethernet Fiber Transceivers

## Fast Ethernet

### Description:

STRIDE 100Mb Small Form Factor Pluggable (SFP) transceiver modules (Transmit/Receive). Hot Swappable. 1310nm wavelength. Data transmission up to 4km multimode fiber (SFP-4K-FMF) or 30km singlemode fiber (SFP-30K-FSF). LC duplex receptacle, SFP Multi-Source Agreement compliant.



**NOTE: PORT SPEED SETTINGS FOR THE STRIDE SWITCH MUST BE MANUALLY SET TO 100 MBPS.**

Part Number	Mode	Light Source	Max Trans. Distance	Price
SFP-4K-FMF	Multi-mode	1310 nm, FP	4km	\$103.00
SFP-30K-FSF	Single-mode		30 km	\$48.50

**Note: Use only Gigabit speed SFPs with SE2-SW10UG-2P-T**

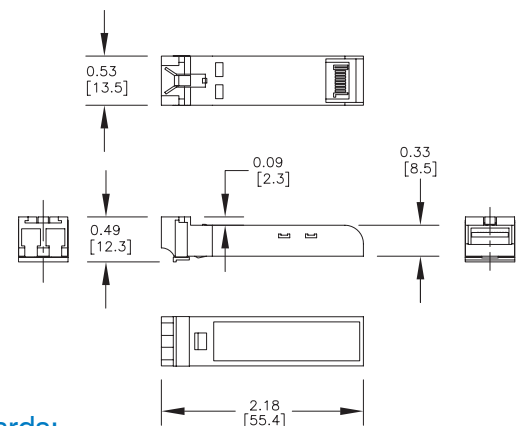
Transmitter Optical characteristics				
Parameter (unit)		Minimum	Typical	Maximum
Output optical power (dBm)	SFP-4K-FMF	-9		0
	SFP-30K-FSF	-15		-8
Extinction Ratio (dB)	SFP-4K-FMF	8.2		
	SFP-30K-FSF			
Center Wavelength (nm)	SFP-4K-FMF	1261	1310	1360
	SFP-30K-FSF			
Spectral width - RMS (nm)	SFP-4K-FMF			7
	SFP-30K-FSF			4
Rise / Fall Time - 10% - 90% (ns)	SFP-4K-FMF			2
	SFP-30K-FSF			

Receiver Optical characteristics			
Parameter (unit)		Minimum	Maximum
Sensitivity (dBm)	SFP-4K-FMF		-30
	SFP-30K-FSF		-34
Operating Wavelength (nm)	SFP-4K-FMF	1260	1620
	SFP-30K-FSF		
Loss of Signal - Deasserted (dBm)	SFP-4K-FMF		-30
	SFP-30K-FSF		-35
Loss of Signal - Asserted (dBm)	SFP-4K-FMF	-45	
	SFP-30K-FSF		
Loss of Signal - Hysteresis (dB)	SFP-4K-FMF	0.5	
	SFP-30K-FSF		

General Specifications		
Connector Type	Type LC connector with bail latch	
Operating Temperature range	-40 to +85 °C (-40 to +185 °F)	
Storage temperature range	-40 to +85 °C (-40 to +185 °F)	
Humidity (non-condensing)	5 to 95% RH	
Link Speed	Gigabit Ethernet	
Laser Type	FP laser diode (Class 1 laser safety standard IEC 60825 compliant)	
Media	SFP-4K-FMF	Multi-mode Fiber
	SFP-30K-FSF	Single-mode Fiber
Fiber	SFP-4K-FMF	62.5 / 125 µm
	SFP-30K-FSF	9 / 125 µm
Code	SFP-4K-FMF	FX5
	SFP-30K-FSF	100LX
Distance	SFP-4K-FMF	4km
	SFP-30K-FSF	30 km
Compliances	SFP-4K-FMF	125Mbps IEEE802.3u 100BASE-FX compliant 125Mbps FDDI ISO/IEC 9314-1 compliant
	SFP-30K-FSF	125Mbps IEEE802.3ah 100BASE-LX10 compliant 155Mbps ITU-T G957 STM S-1.1/L-1.1 compliant 155Mbps SONET OC-3 IR-1/LR-1 compliant
Inputs / Outputs	AC-coupled differential inputs and outputs	

### Dimensions

Inches [mm]



### Safety Standards:



# Stride Industrial Ethernet Fiber Transceivers Gigabit Ethernet

## Description:

STRIDE Gigabit (1.25GB) Small Form Factor Pluggable (SFP) transceiver module (Transmit/Receive). Hot Swappable. Short or long wavelength of 850nm or 1310nm, dependant on model. Supports data transmission up to 550 meters, 2km, 10 km, or 30 km on a single-mode or multi-mode fiber, dependant on model. LC duplex receptacle, SFP Multi-Source Agreement compliant.



Part Number	Mode	Light Source	Max Trans. Distance	Price
SFP-500-GMF	Multi-mode	850 nm, VCSEL	550m	\$81.00
SFP-2K-GMF				
SFP-10K-GSF	Single-mode	1310 nm, FP	10 km	\$85.00
SFP-30K-GSF				
Note: Use only Gigabit speed SFPs with SE2-SW10UG-2P-T				

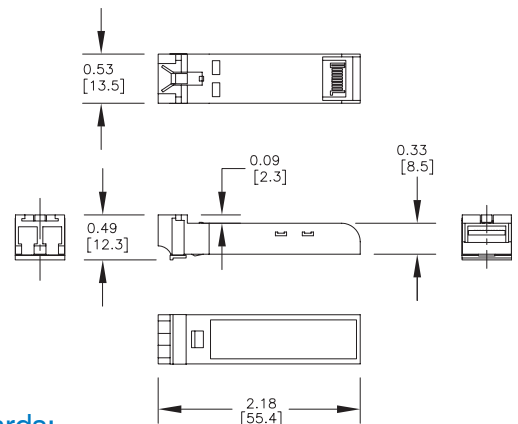
Transmitter Optical characteristics				
Parameter (unit)		Minimum	Typical	Maximum
Output optical power (dBm)	SFP-500-GMF	-9.5		-4
	SFP-2K-GMF	-9		-1
	SFP-10K-GSF	-9.5		-3
	SFP-30K-GSF	-2	1	3
Extinction Ratio (dB)	SFP-500-GMF	9		
	SFP-2K-GMF			
	SFP-10K-GSF			
	SFP-30K-GSF			
Center Wavelength (nm)	SFP-500-GMF	830	850	860
	SFP-2K-GMF	1270	1310	1355
	SFP-10K-GSF	1285		1343
	SFP-30K-GSF	1270		1355
SFP-500-GMF				0.85
Spectral width - RMS (nm)	SFP-2K-GMF			4
	SFP-10K-GSF			2.8
	SFP-30K-GSF			1
	SFP-500-GMF			260
Rise / Fall Time - 20% - 80% (ps)	SFP-2K-GMF			260
	SFP-10K-GSF			260
	SFP-30K-GSF			260
	SFP-500-GMF			260

Receiver Optical characteristics				
Parameter (unit)		Minimum	Maximum	
Sensitivity (dBm)	SFP-500-GMF		-17	
	SFP-2K-GMF		-19	
	SFP-10K-GSF		-20	
	SFP-30K-GSF		-23	
Operating Wavelength (nm)	SFP-500-GMF	770	860	
	SFP-2K-GMF	1260	1610	
	SFP-10K-GSF	1270	1355	
	SFP-30K-GSF	1270	1580	
Return Loss (dB)	SFP-500-GMF	12		
	SFP-2K-GMF			
	SFP-10K-GSF			
	SFP-30K-GSF			
Loss of Signal - Deasserted (dBm)	SFP-500-GMF		-17.5	
	SFP-2K-GMF		-19	
	SFP-10K-GSF		-20	
	SFP-30K-GSF		-23	
Loss of Signal - Asserted (dBm)	SFP-500-GMF	-35		
	SFP-2K-GMF			
	SFP-10K-GSF			
	SFP-30K-GSF			
Loss of Signal - Hysteresis (dB)	SFP-500-GMF	0.5		
	SFP-2K-GMF			
	SFP-10K-GSF			
	SFP-30K-GSF			

General Specifications		
Connector Type	Type LC connector with bail latch	
Operating Temperature range	-40 to +85 °C (-40 to +185 °F)	
Storage temperature range	-40 to +85 °C (-40 to +185 °F)	
Humidity (non-condensing)	5 to 95% RH	
Link Speed	Gigabit Ethernet	
Laser Type	SFP-500-GMF	VCSEL laser diode (Class 1 laser safety standard IEC 60825 compliant)
	SFP-2K-GMF	FP laser diode (Class 1 laser safety standard IEC 60825 compliant)
	SFP-10K-GSF	FP laser diode (Class 1 laser safety standard IEC 60825 compliant)
	SFP-30K-GSF	DFB laser diode (Class 1 laser safety standard IEC 60825 compliant)
Media	SFP-500-GMF	Multi-mode Fiber
	SFP-2K-GMF	
	SFP-10K-GSF	Single-mode Fiber
	SFP-30K-GSF	
Fiber	SFP-500-GMF	50 / 125 μm and 62.5 / 125 μm
	SFP-2K-GMF	
	SFP-10K-GSF	
	SFP-30K-GSF	
Code	SFP-500-GMF	SX
	SFP-2K-GMF	SX2
	SFP-10K-GSF	LX
	SFP-30K-GSF	1hx
Distance	SFP-500-GMF	550m
	SFP-2K-GMF	2km
	SFP-10K-GSF	10 km
	SFP-30K-GSF	40 km
Compliances	SFP-500-GMF	1.0625Gbps Fiber Channel FC-PI 100-M5-SN-I compliant
		1.0625Gbps Fiber Channel FC-PI 100-M6-SN-I compliant
		1.25Gbps IEEE 802.3z 1000BASE-SX compliant
	SFP-2K-GMF	1.25Gbps IEEE 802.3ah 1000BASE-SX compliant
SFP-10K-GSF	1.0625Gbps Fiber Channel FC-PI 100-SM-LC-L compliant	
SFP-30K-GSF	1.25Gbps IEEE 802.3 1000BASE-LX compliant	
SFP-30K-GSF	1.25Gbps Gigabit Ethernet compliant	
Inputs / Outputs	AC-coupled differential inputs and outputs	

## Dimensions

Inches [mm]



## Safety Standards:

